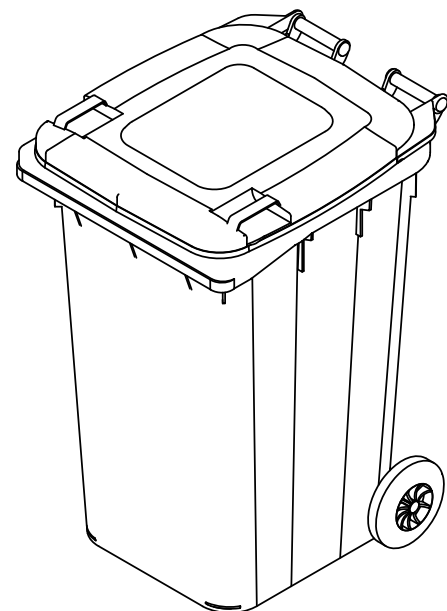
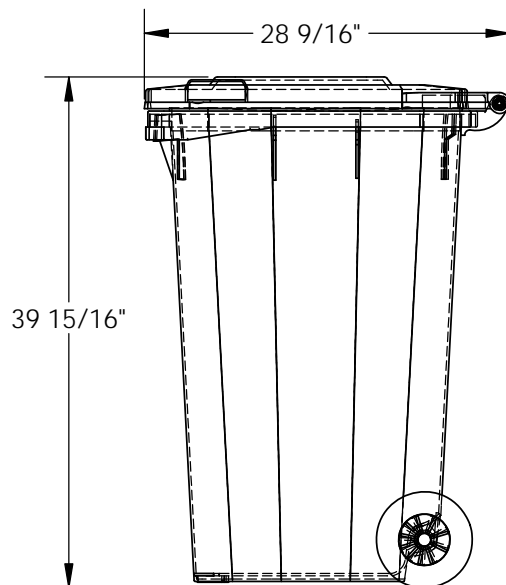
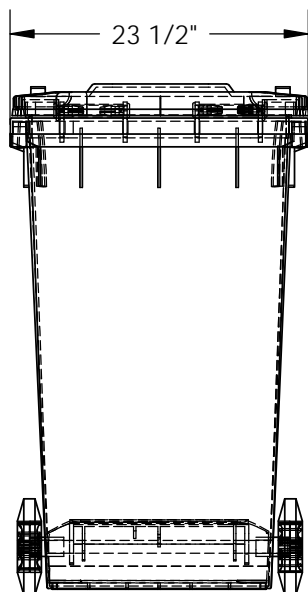


# TRASH CAN - TH-64 - (GRN, GY, BLU)

APPROX WEIGHT: 44.54 lbs.  
 DOES NOT INCLUDE WEIGHT OF POWER OR PACKAGING!!!

\*\*\*ANY ADDITIONS, DELETIONS, OR OMISSIONS MUST BE CORRECTED ON THIS DRAWING AS THIS DRAWING WILL BE CONSIDERED ALL INCLUSIVE\*\*\*



ALL GRAPHICS PROVIDED ARE FOR REFERENCE ONLY. IF CERTAIN DIMENSIONS ARE CRITICAL PLEASE VERIFY THOSE DIMENSIONS WITH YOUR SALESPERSON

DIMENSION TOLERANCE  $\pm 1/4"$

## STANDARD FEATURES

MODEL NUMBER IS TH-64  
 CAPACITY IS 64 GALLONS  
 OVERALL WIDTH IS 23 1/2"  
 OVERALL LENGTH IS 28 9/16"  
 OVERALL HEIGHT IS 39 15/16"

## SPECIAL FEATURES

NONE

APPROVAL

I, THE UNDERSIGNED, AGREE THAT THE PRODUCT AS REPRESENTED SATISFIES DESIGN AND DIMENSION REQUIREMENTS. I ALSO ACKNOWLEDGE MY DUTY TO CONFIRM PRODUCT AND INSTALLATION COMPLIANCE WITH ALL APPLICABLE FEDERAL, STATE AND LOCAL REGULATIONS AND STANDARDS.  
**ALL SPECIAL UNITS ARE NON-RETURNABLE**  
 As drawn       As marked

Signed: \_\_\_\_\_ Date: \_\_\_\_\_

**LEAD TIME WILL START UPON RECEIPT OF SIGNED APPROVAL DRAWING**

|   |              |            |
|---|--------------|------------|
| DISTRIBUTOR'S NAME:<br><b>HOF Equipment Company</b> |              | P.O.#<br>X |
| DRAWN BY: <b>MIKE S.</b>                            |              | W.O.#<br>X |
| DATE: <b>07/30/2010</b>                             | SALES: X     | FILE NAME: |
| REFERENCE: X  | SCALE: 1:15  | 30-007-171 |
| QUOTED LEAD TIME: X                                 | QUOTE #<br>X |            |